

Widely used Quick Release couplings for leak proof connections for pipe, tubing, hose or tanks.

Suitable for liquids, vapours, gases and dry products.

Interchangeable with: –  
'Boss-Lock', 'Ez Boss-Lock' and 'Andrews'  
Cam and Groove Couplers.

**Operation:**

To connect simply extend the coupler arms and slip the adaptor into the coupler, then press the handles down with normal hand pressure to complete the joint.

During use, line pressure increases the pressure on the face of the cam ensuring increased locking leverage.



**Available sizes:**

3/4", 1", 1.1/4", 1.1/2", 2", 2.1/2", 3", 4", 5", 6".

**Maximum Working Pressure Ratings:**

3/4" to 2.1/2"	10 Bar (150 psi).
3"	10 Bar (150 psi).
4"	7 Bar (100 psi).
5" & 6"	5 Bar (75 psi).

**Materials:**

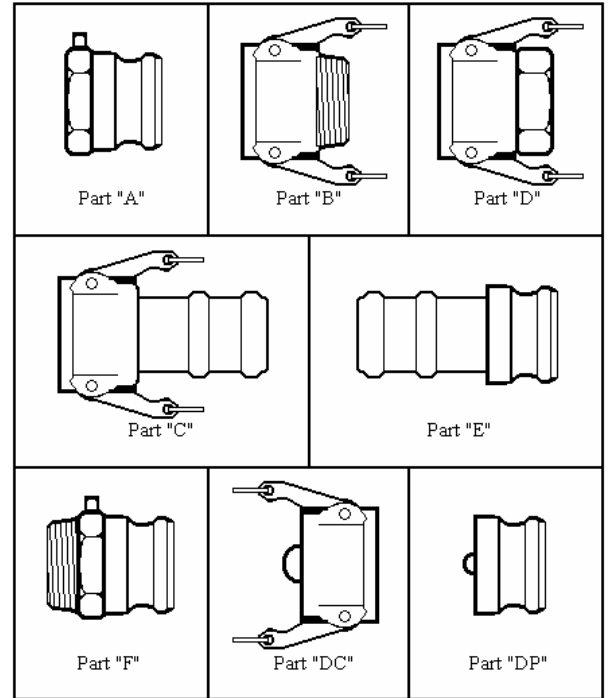
Aluminium, Brass, Stainless Steel, Malleable Iron.

**Seals:**

Buna seals are fitted as standard.  
Other materials on request.

Couplings are available in a range of connections,

- Part 'A' female threaded **Male Adaptor**.
- Part 'B' male threaded **Female Coupler**.
- Part 'C' **Female Coupler** c/w hose tail.
- Part 'D' female threaded **Female Coupler**.
- Part 'E' **Male Adaptor** c/w hose tail.
- Part 'F' male threaded **Male Adaptor**.
- Part 'DC' **Dust Cap**.
- Part 'DP' **Dust Plug**.



Part No's

**DX 75 - A - AL**

Coupling Ident

Coupling Size

- 75 - 3/4"
- 100 - 1"
- 125 - 1.1/4"
- 150 - 1.1/2"
- 200 - 2"
- 300 - 3"
- 400 - 4"
- 500 - 5"
- 600 - 6"

Material

- AL - Aluminium
- MI - Malleable Iron
- SS - Stainless Steel

Part

- A, B, C etc.