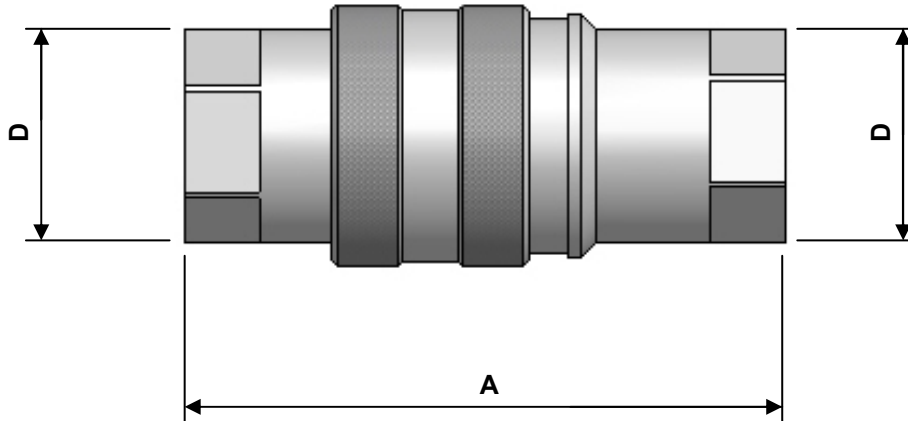
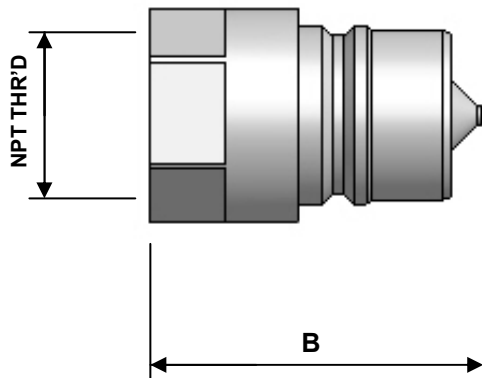


QR45 HIGH PRESSURE QUICK RELEASE COUPLING

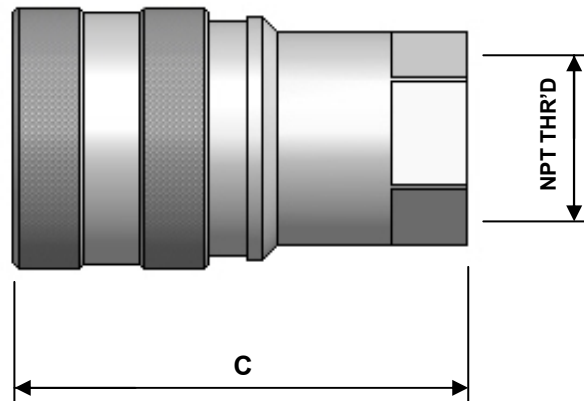
MATED COUPLING



MALE COUPLING



FEMALE COUPLING



COUPLING SIZE	FEMALE COUPLING PART NO.	MALE COUPLING PART NO.	MAX OPERATING PRESSURE ST ST 316		MAX OPERATING PRESSURE ST ST 17-4PH		MAX OPERATING PRESSURE NAVAL BRASS		MAX OPERATING PRESSURE CARBON STEEL		MAX OPERATING PRESSURE TITANIUM	
3/8	QR45AFBC5-06	QR45AMBC5-06	5000 psi	345 bar			2500 psi	172 bar	6500 psi	448 bar		
1/2	QR45AFBC5-08	QR45AMBC5-08	4000 psi	276 bar			2500 psi	172 bar	4500 psi	310 bar		
3/4	QR45AFBC5-12	QR45SAMBC5-12	3000 psi	207 bar	5000 psi	345 bar	2000 psi	138 bar	3750 psi	259 bar	1015 psi	70 bar
1	QR45AFBC5-16	QR45SAMBC5-16	2500 psi	172 bar			1750 psi	121 bar	3000 psi	207 bar		
1 1/4	QR45AFBC5-20	QR45SAMBC5-20	2200 psi	152 bar			510 psi	35 bar	2700 psi	186 bar		
1 1/2	QR45AFBC5-24	QR45SAMBC5-24	1000 psi	70 bar			465 psi	23 bar	2400 psi	165 bar		
2	QR45AFBC5-32	QR45SAMBC5-32	800 psi	55 bar	2000 psi	138 bar	450 psi	31 bar	1750 psi	121 bar		

COUPLING SIZE	NPT FEM THRD	A	B	C	D
3/8	3/8"	3.640"	1.909"	2.927"	0.875"
1/2	1/2"	4.330"	2.298"	3.360"	1.125"
3/4	3/4"	5.000"	2.836"	3.800"	1.500"
1	1"	6.005"	3.414"	4.500"	1.875"
1 1/4	1 1/4"	6.619"	3.818"	5.007"	2.250"
1 1/2	1 1/2"	7.894"	4.462"	5.842"	2.625"
2	2"	9.304"	5.437"	7.147"	3.250"

Full range of elastomeric seals available to suit service

Also available with BSPT connections

Completely serviceable, all components can be replaced