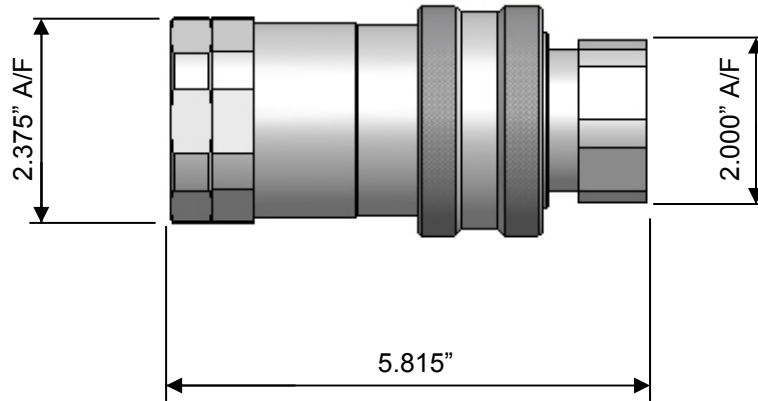
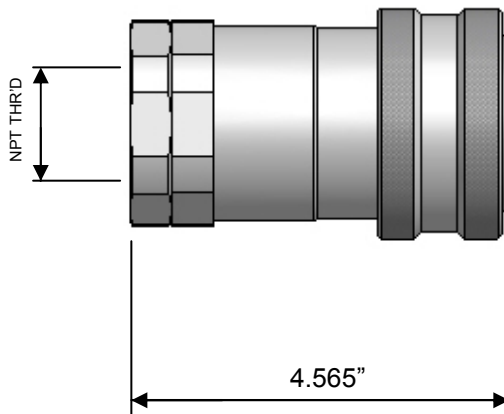


# QR5 HIGH PRESSURE QUICK RELEASE COUPLING

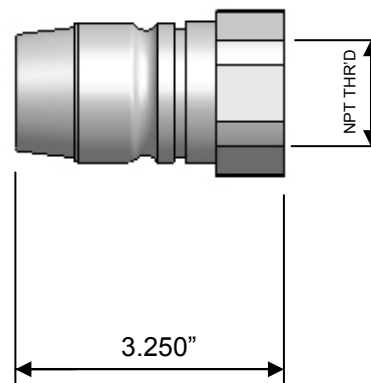
## MATED COUPLING



## FEMALE COUPLING



## MALE COUPLING



COUPLING SIZE	COMPLETE COUPLING PART NO.	FEMALE COUPLING PART NO.	MALE COUPLING PART NO.	NPT FEM THRD
1"	QR5AC5-16S4	QR5AFBC5-16S4	QR5AMBC5-16S4	1"

Material: Stainless Steel 316 / 174-PH  
 Max Working Pressure: 5000 psi  
 Min Burst Pressure: 12500 psi

Full range of elastomeric seals available to suit service

Also available with BSPT connections

Completely serviceable, all components can be replaced