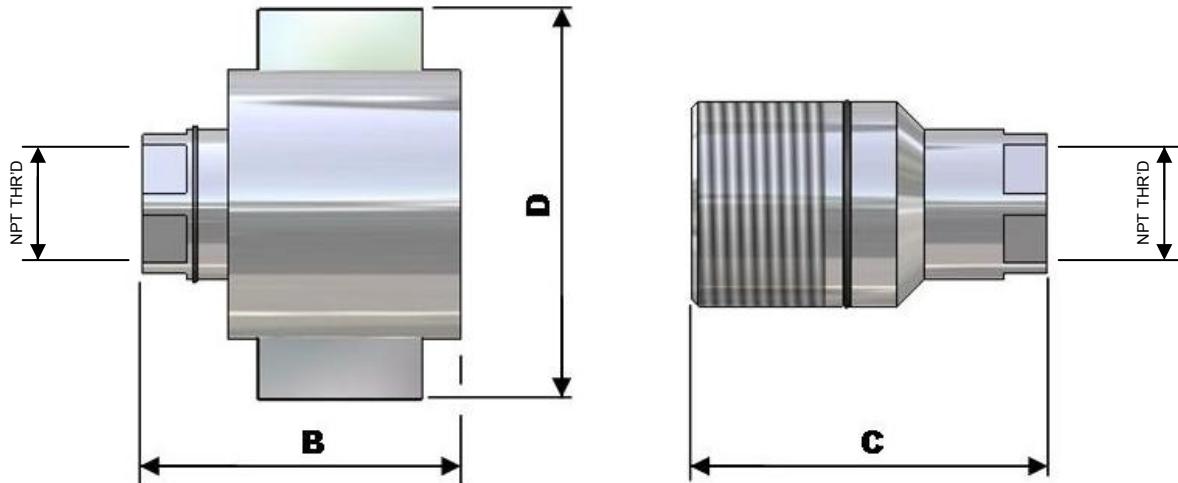
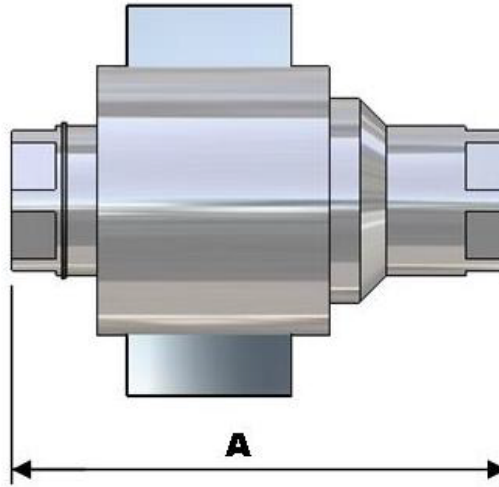


QR74 HIGH PRESSURE QUICK RELEASE COUPLING

MATED COUPLING



FEMALE COUPLING

MALE COUPLING

COUPLING SIZE	COMPLETE COUPLING PART NO.	FEMALE COUPLING PART NO.	MALE COUPLING PART NO.	MAX. OPERATING PRESSURE		MIN. BURST PRESSURE	
3/8	QR74AC5-06	QR74AFBC5-06	QR74AMBC5-06	5000 psi	345 bar	26000 psi	1730 bar
1/2	QR74AC5-08	QR74AFBC5-08	QR74AMBC5-08	5000 psi	345 bar	24000 psi	1600 bar
3/4	QR74SAC5-12	QR74SAFBC5-12	QR74SAMBC5-12	5000 psi	345 bar	19500 psi	1300 bar
1	QR74S1AC5-16	QR74S1AFBC5-16	QR74SAMBC5-16	5000 psi	345 bar	18000 psi	1200 bar
1.1/4	QR74S1AC5-20	QR74S1AFBC5-20	QR74SAMBC5-20	5000 psi	345 bar	15000 psi	1000 bar
1.1/2	QR74S1AC5-24	QR74S1AFBC5-24	QR74SAMBC5-24	5000 psi	345 bar	14000 psi	930 bar
2	QR74S1AC5-32	QR74S1AFBC5-32	QR74SAMBC5-32	3000 psi	207 bar	13500 psi	900 bar

COUPLING SIZE	NPT FEM THRD	A	B	C	D
3/8	3/8"	3.334"	2.332"	2.983"	3.000"
1/2	1/2"	4.330"	2.790"	3.386"	4.250"
3/4	3/4"	5.000"	3.111"	3.898"	4.750"
1	1"	6.000"	3.269"	4.694"	4.750"
1.1/4	1.1/4"	6.614"	3.955"	5.275"	5.750"
1.1/2	1.1/2"	7.645"	4.552"	5.064"	5.500"
2	2"	9.054"	5.175"	7.768"	7.250"

Design Features:

- Fire Rated by Lloyds Register of Shipping to 700°C
- NPT Female connections
- Completely serviceable, all components can be replaced

Materials: (standard coupling)

- Stainless Steel Grade 316L
- Viton Seals

Also available in Hex Nut style, other body and seal materials—details on request