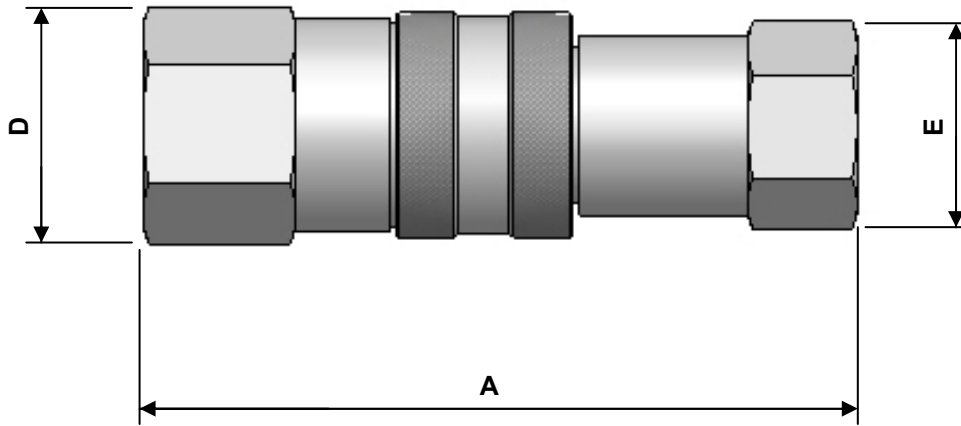
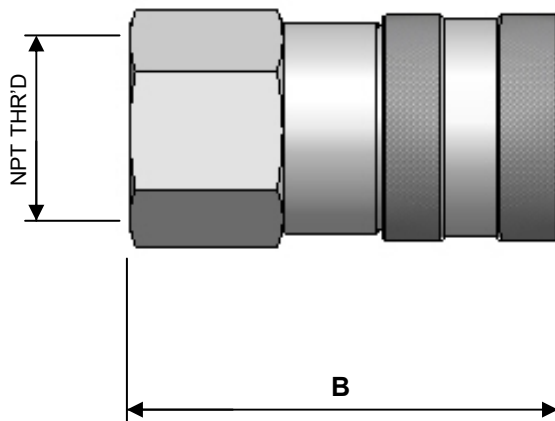


## QR8 LOW PRESSURE QUICK RELEASE COUPLING

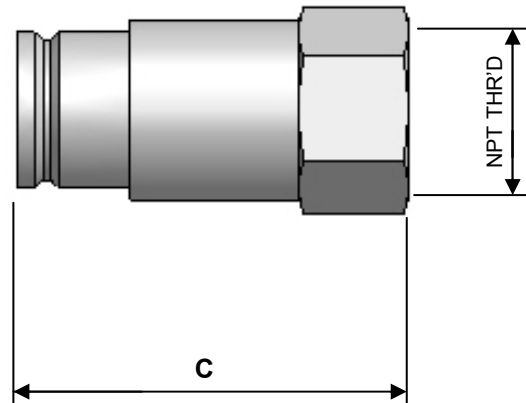
### MATED COUPLING



### FEMALE COUPLING



### MALE COUPLING



COUPLING SIZE	COMPLETE COUPLING PART NO.	FEMALE COUPLING PART NO.	MALE COUPLING PART NO.	NPT FEM THRD	A	B	C	D	E
3/8	QR8AC5-06SS	QR8AFBC5-06SS	QR8AMBC5-06SS	3/8"	5.488"	2.986"	3.317"	1.625"	1.500"
3/4	QR8AC5-12SS	QR8AFBC5-12SS	QR8AMBC5-12SS	3/4"	6.585"	3.640"	3.706"	1.968"	1.625"
1	QR8AC5-16SS	QR8AFBC5-16SS	QR8AMBC5-16SS	1"	7.175"	3.480"	4.126"	2.000"	1.750"

COUPLING SIZE	WORKING PRESSURE
3/8	300 psi
3/4	300 psi
1	300 psi

Material: Stainless Steel 316

Full range of elastomeric seals available to suit service

Also available with BSPT connections

Completely serviceable, all components can be replaced